

# POWER ADJUSTER

**NOTE:** [\(Refer to 23 - Body/Seats/SEAT - Description\)](#) for a detailed exploded view of the seats.

1. Remove front seat from vehicle. [\(Refer to 23 - Body/Seats/SEAT - Removal\)](#).
2. Remove the seat back from the seat cushion. [\(Refer to 23 - Body/Seats/SEAT BACK - Removal\)](#).
3. Remove the seat cushion. [\(Refer to 23 - Body/Seats/COVER, Seat Cushion - Removal\)](#).
4. Remove the seat wiring harness (37).
5. Remove the STPS sensor (32), if equipped.
6. Remove the wiring bracket fastener (35) and bracket (33).

# MANUAL ADJUSTER

**NOTE:** [\(Refer to 23 - Body/Seats/SEAT - Description\)](#) for a detailed exploded view of the seats.

1. Remove the front seat from the vehicle. [\(Refer to 23 - Body/Seats/SEAT - Removal\)](#).
2. Remove the seat back. [\(Refer to 23 - Body/Seats/SEAT BACK - Removal\)](#).
3. Remove the seat cushion. [\(Refer to 23 - Body/Seats/COVER, Seat Cushion - Removal\)](#).
4. Remove the wiring harness (30) from the seat frame.
5. Remove the STPS sensor (32).
6. Remove the wiring bracket fastener (29) and bracket (28).

# POWER ADJUSTER

**NOTE:** [\(Refer to 23 - Body/Seats/SEAT - Description\)](#) for a detailed exploded view of the seats.

1. Install the wiring bracket fastener (35) and bracket (33).
2. Install the STPS sensor (32), if equipped.
3. Install the seat wiring harness (37).
4. Install the seat cushion. [\(Refer to 23 - Body/Seats/COVER, Seat Cushion - Installation\)](#).
5. Install the seat back to the seat cushion assembly. [\(Refer to 23 - Body/Seats/SEAT BACK - Installation\)](#).
6. Install front seat to vehicle. [\(Refer to 23 - Body/Seats/SEAT - Installation\)](#).

# MANUAL ADJUSTER

1. Install the wiring bracket (28) and fastener (29).
2. Install the STPS sensor (32).
3. Install the wiring harness (30) to the seat frame.
4. Install the seat cushion. ([Refer to 23 - Body/Seats/COVER, Seat Cushion - Installation](#)).
5. Install the seat back. ([Refer to 23 - Body/Seats/SEAT BACK - Installation](#)).
6. Install the front seat to the vehicle. ([Refer to 23 - Body/Seats/SEAT - Installation](#)).

# REMOVAL

**NOTE:** Refer to the fold flat passenger exploded view. ([Refer to 23 - Body/Seats/SEAT - Description](#)).

1. Remove the seat from the vehicle. ([Refer to 23 - Body/Seats/SEAT - Removal](#)).
2. Remove the seat side shields. ([Refer to 23 - Body/Seats/SIDE SHIELDS, Seat Cushion - Removal](#)).
3. Remove the wiring harness (28) anchors from the seat bottom.
4. Remove the anchors securing the recliner cable (19) from the seat bottom.
5. Remove the seat cushion. ([Refer to 23 - Body/Seats/SEAT CUSHION - Removal](#)).
6. Fold the seat back forward completely.
7. Remove the front biteline pad (41).
8. Remove the inner left shield (21).
9. Remove the inner right shield (33).
10. Fully recline the seat back.
11. Remove the storage bin (2) from the seat frame.

# INSTALLATION

**NOTE:** Refer to the fold flat passenger exploded view. ([Refer to 23 - Body/Seats/SEAT - Description](#)).

1. Install the storage bin (2) to the seat frame with the seat back fully reclined.
2. Fold the seat back forward completely.
3. Install the inner right shield (33).
4. Install the inner left shield (21).
5. Install the front biteline pad (41).
6. Install the seat cushion. ([Refer to 23 - Body/Seats/SEAT CUSHION - Installation](#)).
7. Install the anchors securing the recliner cable (19) to the seat bottom.
8. Install the wiring harness (28) anchors to the seat bottom.
9. Install the seat side shields. ([Refer to 23 - Body/Seats/SIDE SHIELDS, Seat Cushion - Installation](#)).
10. Install the seat to the vehicle. ([Refer to 23 - Body/Seats/SEAT - Installation](#)).

# REMOVAL

**NOTE:** [\(Refer to 23 - Body/Seats/SEAT - Description\)](#) for a detailed exploded view of the seats.

**NOTE:** All call outs are in reference to the Driver Power exploded view unless otherwise noted.

1. Remove the seat from the vehicle. [\(Refer to 23 - Body/Seats/SEAT - Removal\)](#).
2. Remove the seat back. [\(Refer to 23 - Body/Seats/SEAT BACK - Removal\)](#).
3. Remove the lumbar handle cover (23).
4. Remove the retaining fastener (22) and remove the handle (21).
5. If equipped, remove the seat back panel or unzip the seat cover.
6. Remove the J-clips and pushpins on the seat back cover from the frame.
- 7.
8. Remove the side airbag (SAB) mounting nuts.
9. Disconnect the SAB wiring connector.
10. Remove the SAB from the seat cover.
11. Remove the inner inboard shield (41).
12. Remove the inner outboard shield (28).
13. Remove the headrest guides (12). [\(Refer to 23 - Body/Seats/SLEEVE, Headrest - Removal\)](#).
14. Starting from the bottom rear of the seat back, carefully pull seat cover off seat cushion to expose hog rings.
15. Cut hog rings and discard.
16. Remove the cover from the seat back assembly.
17. Remove the seat cushion foam, if required.

# INSTALLATION

**NOTE:** [\(Refer to 23 - Body/Seats/SEAT - Description\)](#) for a detailed exploded view of the seats.

**NOTE:** Do not reuse the recliner assembly attaching bolts.

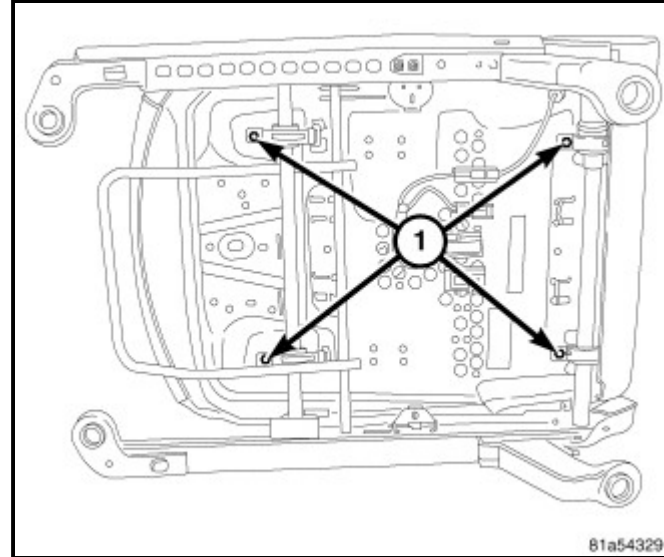
1. Position cover on the top of seat back.
2. Carefully roll cover down to the area that hog rings are to be installed.
3. Install the side airbag (SAB) to the seat back cover.
4. Connect the SAB wiring connector.
5. Install the SAB mounting fasteners.
6. Engage the J-clip retainers to the back frame assembly.
7. Install hog rings.
8. Roll cover downward.
9. Engage the J-clip retainer to the seat frame.
10. Install lumbar handle, if equipped.
11. If equipped, install the seat back cover panel or zip up the seat back cover.
12. Install headrest guides. [\(Refer to 23 - Body/Seats/SLEEVE, Headrest - Installation\)](#).
13. Install seat back to seat cushion. [\(Refer to 23 - Body/Seats/SEAT BACK - Installation\)](#).
14. Install the seat to the vehicle. [\(Refer to 23 - Body/Seats/SEAT - Installation\)](#).
15. Check seat back and headrest operation.



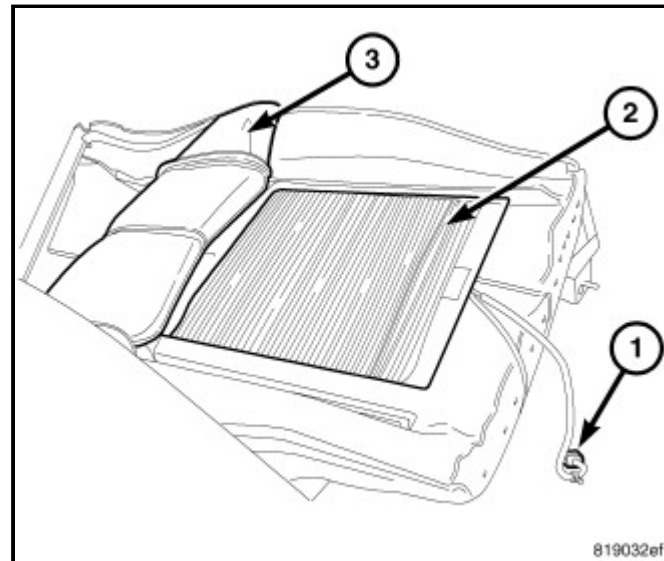
# REMOVAL

**NOTE:** [\(Refer to 23 - Body/Seats/SEAT - Description\)](#) for a detailed exploded view of the seats.

1. Remove seat from vehicle. [\(Refer to 23 - Body/Seats/SEAT - Removal\)](#)
2. Remove the wiring harness from the seat pan.
3. Remove four seat pan fasteners (1).
4. Remove the seat pan from the adjuster assembly.
5. Remove the J-clips securing the seat cover to the seat pan, if required.



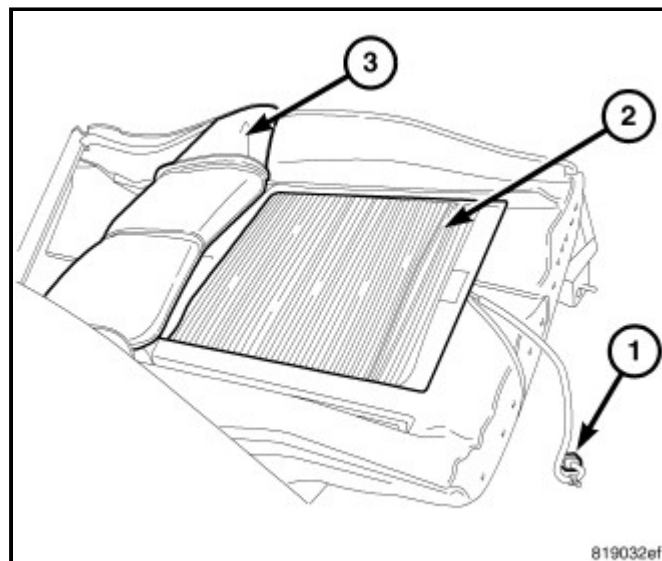
6. Starting at the rear of the seat cushion, carefully pull seat cover (3) down towards the front.
7. Cut and discard hog rings.
8. Remove the seat cover from the foam.



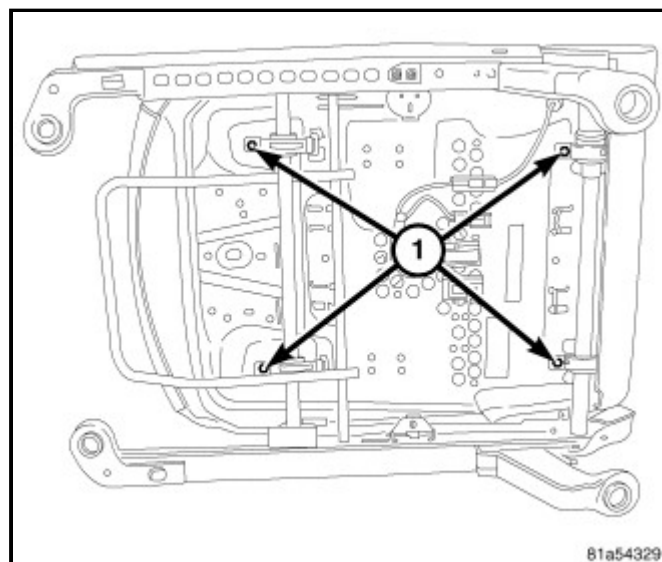
# INSTALLATION

**NOTE:** [\(Refer to 23 - Body/Seats/SEAT - Description\)](#) for a detailed exploded view of the seats.

1. Install the heated seat element (2) to the seat cushion, if required.
2. Slide the seat cover (3) over the front of the cushion.
3. Install hog rings as the cover is slid over the cushion.



4. Place the seat cushion into position on the seat pan.
5. Install the J-clips securing the seat cushion to the seat pan.
6. Install the seat pan and cushion to the adjuster assembly.
7. Install the mounting fasteners and torque to 12.5 N-m (9 ft. lbs.).
8. Install the seat to the vehicle. [\(Refer to 23 - Body/Seats/SEAT - Installation\)](#).

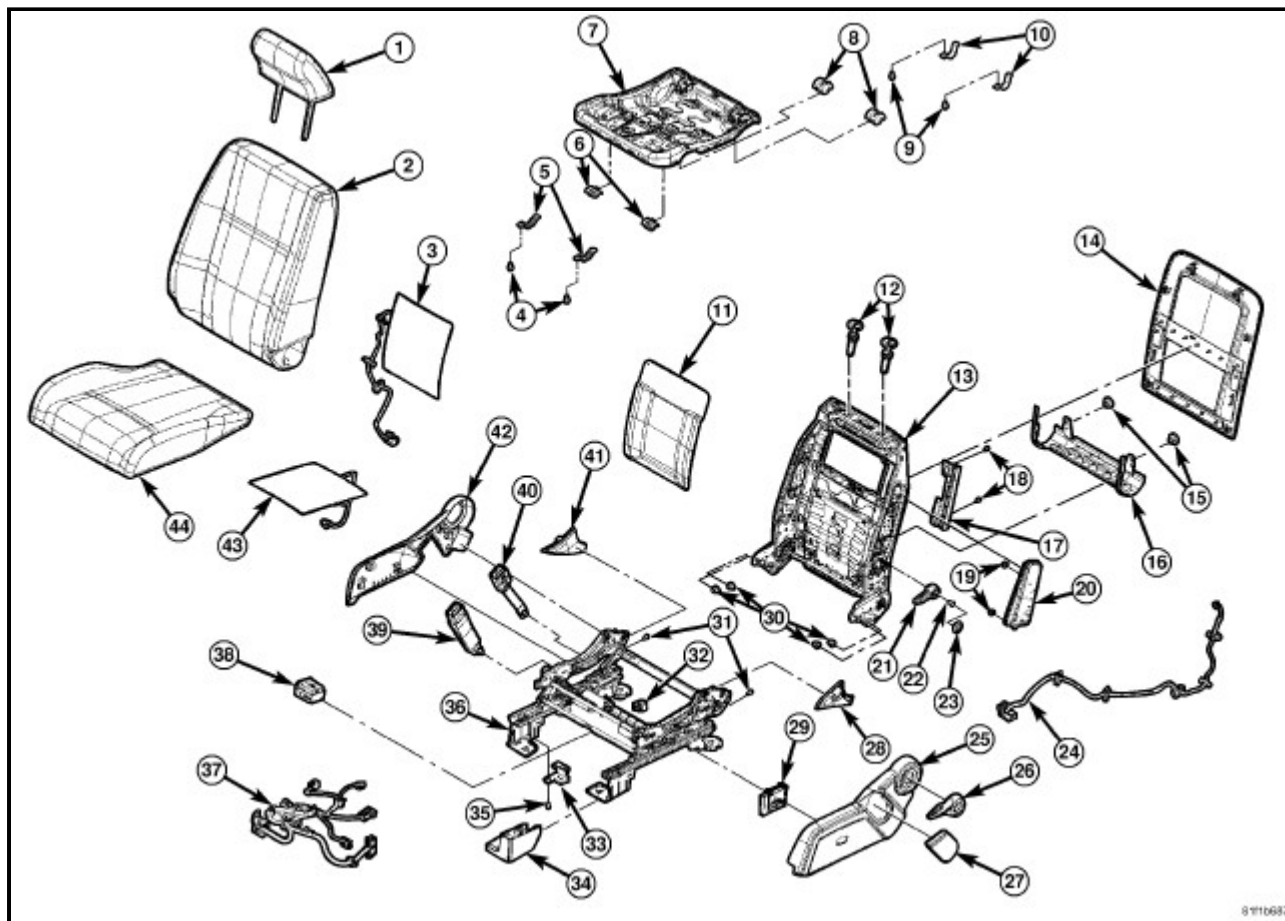


# STANDARD PROCEDURE

- 1.
- 2.
- 3.

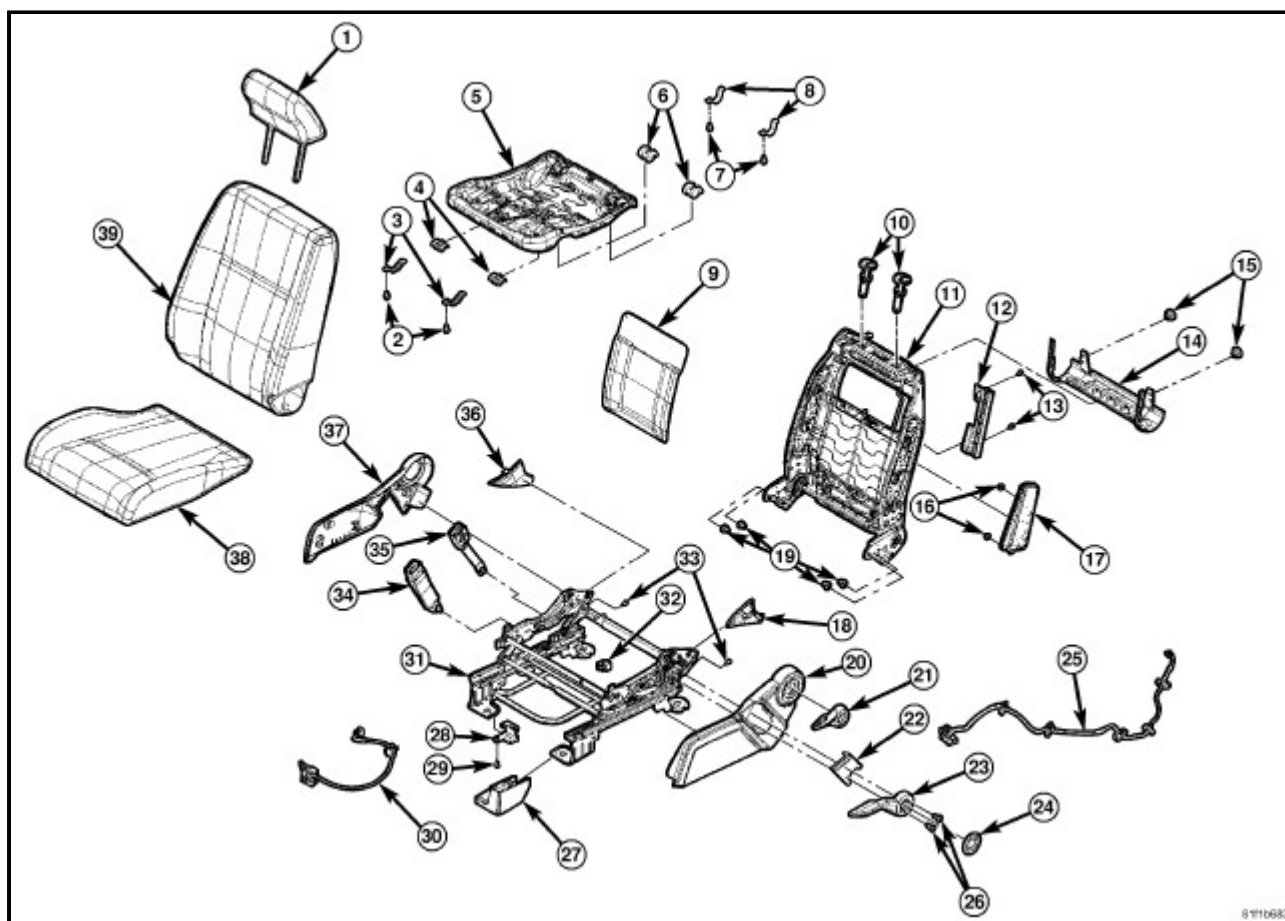
# DESCRIPTION

**WARNING:** Discard and replace the seat back bolts with new bolts when servicing. Installing used bolts may result in the loosening of the seat back bolts after repair. Failure to follow these instructions may result in serious or fatal injury.



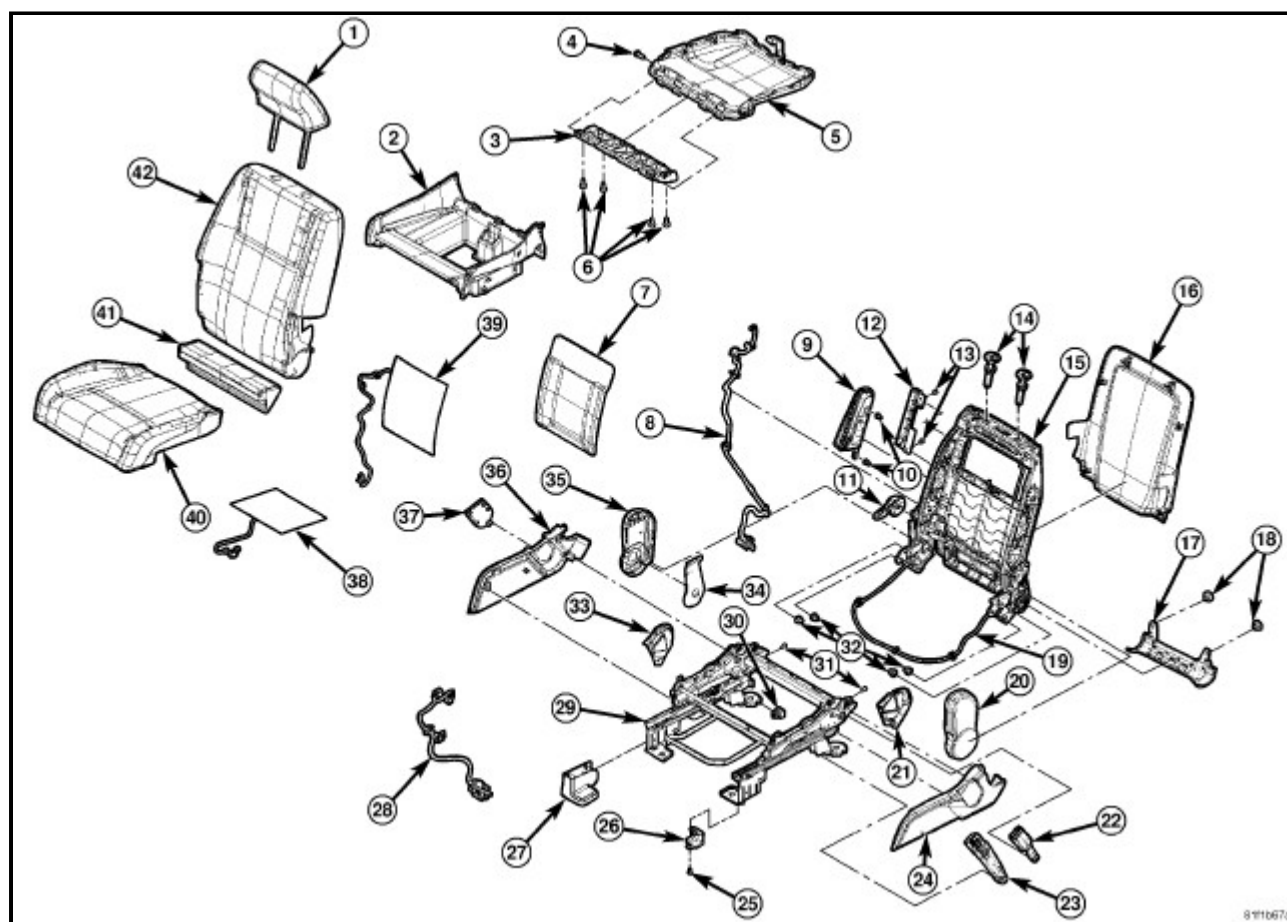
1. HEADRES	23. CAP, LUMBER HANDLE
2. CUSHION/COVER, SEAT BACK	24. HARNESS, AIRBAG WIRING
3. BACK, HEATER PAD	25. SHIELD, SIDE
4. SCREW	26. HANDLE, RECLINER
5. CLAMP BAND, FRONT	27. COVER, SEAT BELT ANCHOR
6. BRACKET, FRONT PAN	28. FLANGE, OUTBOARD RETURN
7. CUSHION PAN, FRONT	29. SWITCH, POWER SEAT
8. BRACKET, REAR PAN	30. SCREW
9. SCREW	31. SCREW
10. CLAMP BAND, REAR	32. SENSOR, STPS
11. BAG, ANTI-SQUEAK	33. BRACKET, WIRING
12. GUIDES, HEADREST	34. COVER, RISER
13. FRAME, SEAT BACK	35. SCREW
14. PANEL, BACK W/MAP POCKET	36. ASSEMBLY, TRACK
15. TREE CLIP, SUB PANEL	37. HARNESS, WIRING

16. BASE, SUB PANEL	38. MODULE, HEATED SEAT
17. BRACKET, SIDE AIRBAG	39. BUCKLE, SEAT (INTERNATIONAL)
18. PIN, PUSH	40. BUCKLE, SEAT
19. NUT, LOCK	41. FLANGE, INNER RETURN
20. AIRBAG, SIDE	42. SHIELD, SIDE
21. HANDLE, LUMBER	43. CUSHION, HEATER PAD
22. SCREW	44. CUSHION/COVER, SEAT



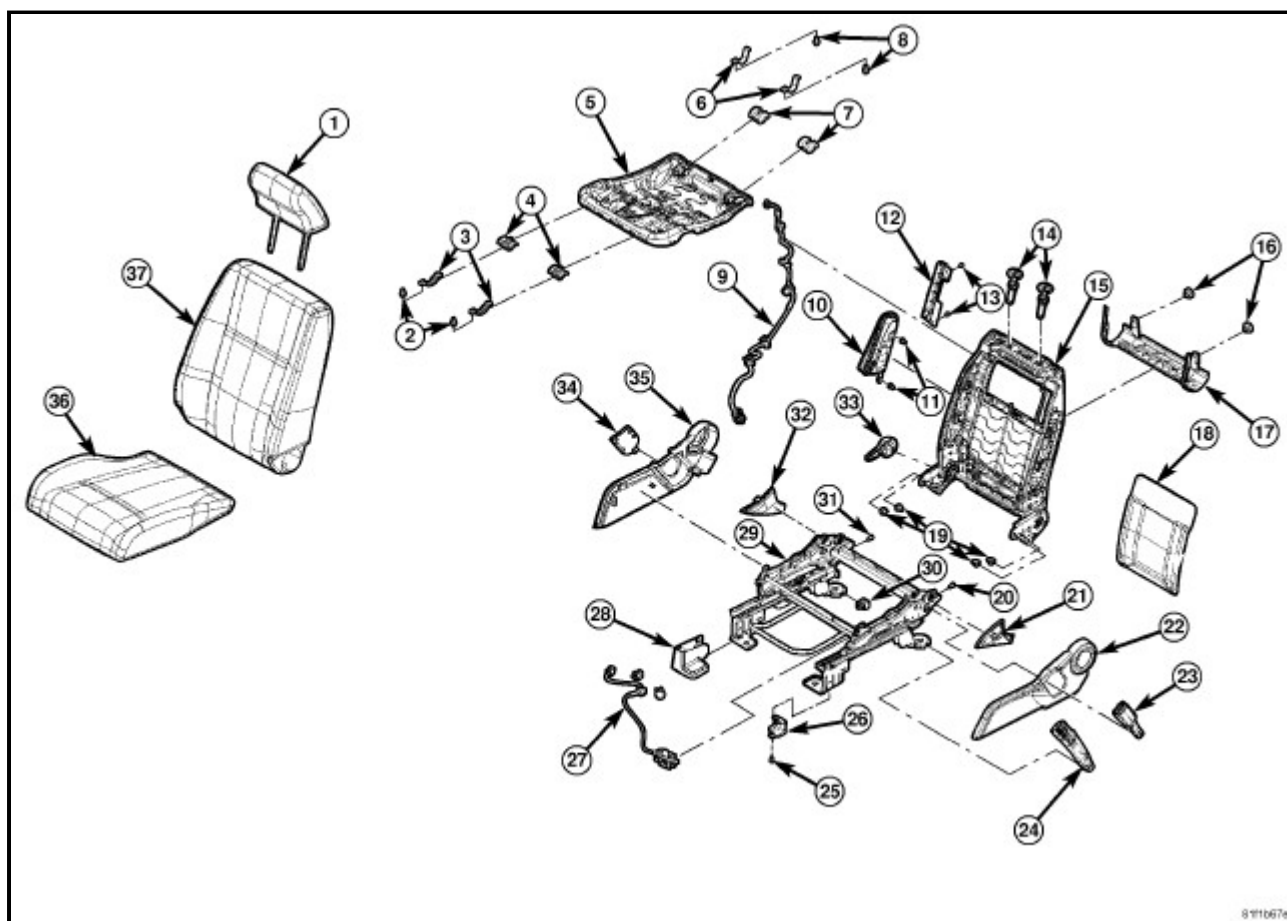
1. HEADREST	21. HANDLE, RECLINER
2. SCREW	22. COVER, SEAT BELT ANCHOR
3. CLAMP BAND, FRONT	23. HANDLE, LIFT
4. BRACKET, FRONT PAN	24. CAP, LIFT HANDLE
5. CUSHION PAN, FRONT	25. HARNESS, AIRBAG
6. BRACKET, REAR PAN	26. SCREW
7. SCREW	27. COVER, RISER
8. CLAMP BAND, REAR	28. BRACKET, WIRING
9. BAG, ANTI-SQUEAK	29. SCREW
10. GUIDES, HEADREST	30. HARNESS, WIRING
11. FRAME, SEAT BACK	31. ASSEMBLY, TRACK

12. BRACKET, SIDE AIRBAG	32. SENSOR, STPS.
13. PIN, PUSH	33. SCREW
14. BASE, SUB PANEL	34. BUCKLE, SEAT (INTERNATIONAL)
15. TREE CLIP, SUB PANEL	35. BUCKLE, SEAT DOMESTIC
16. NUT, LOCK	36. FLANGE, INNER RETURN
17. AIRBAG, SIDE	37. SHIELD, SIDE
18. FLANGE, OUTBOARD RETURN	38. CUSHION/COVER, SEAT
19. BOLTS, SEAT BACK	39. CUSHION/COVER, SEAT BACK
20. SHIELD, SIDE	



1. HEADREST	22. BUCKLE, SEAT DOMESTIC
2. BIN, STORAGE	23. BUCKLE, SEAT INTERNATIONAL
3. BRACKET, FRONT MOUNTING	24. SHIELD, SIDE INBOARD
4. BOLT, PIVOT	25. SCREW
5. FRAME, CUSHION	26. BRACKET, WIRING
6. SCREW	27. COVER, RISER
7. BAG, ANTI-SQUEAK	28. HARNESS, WIRING
8. HARNESS, AIRBAG WIRING	29. ASSEMBLY, TRACK
9. AIRBAG, SIDE	30. SENSOR, STPS

10. NUT, LOCK	31. SCREW
11. HANDLE, RECLINER	32. SCREW
12. BRACKET, SIDE AIRBAG	33. SHIELD, INNER RIGHT
13. PIN, PUSH	34. PLATE, WIRE
14. GUIDES, HEADREST	35. SHIELD, UPPER OUTBOARD
15. FRAME, SEAT BACK	36. SHIELD, SIDE OUTBOARD
16. ASSEMBLY, BACK PANEL	37. COVER, SEAT BELT ANCHOR
17. BASE, SUB PANEL	38. HEAT PAD, CUSHION
18. TREE CLIP, SUB PANEL	39. HEAT PAD, SEAT BACK
19. CABLE ASSEMBLY, FOLD FLAT	40. CUSHION/COVER, SEAT
20. SHIELD, UPPER INBOARD	41. PAD, FRONT BITELINE
21. SHIELD, INNER LEFT	42. CUSHION/COVER, SEAT BACK



1. HEADREST	20. SCREW
2. SCREW	21. SHIELD, INNER LEFT
3. CLAMP BAND, FRONT	22. SHIELD, SIDE INBOARD
4. BRACKET, FRONT PAN	23. BUCKLE, SEAT DOMESTIC
5. CUSHION PAN, FRONT	24. BUCKLE, SEAT INTERNATIONAL
6. CLAMP BAND, REAR	25. SCREW

7. BRACKET, REAR PAN	26. BRACKET, WIRING
8. SCREW	27. HARNESS, WIRING
9. HARNESS, AIRBAG WIRING	28. COVER, RISER
10. AIRBAG, SIDE	29. ASSEMBLY, TRACK
11. NUT, LOCK	30. SENSOR, STPS
12. BRACKET, SIDE AIRBAG	31. SCREW
13. PIN, PUSH	32. SHIELD, INNER RIGHT
14. GUIDES, HEADREST	33. HANDLE, RECLINER
15. FRAME, SEAT BACK	34. COVER, SEAT BELT ANCHOR
16. TREE CLIP, SUB PANEL	35. SHIELD, SIDE OUTBOARD
17. BASE, SUB PANEL	36. CUSHION/COVER, SEAT
18. BAG, ANTI-SQUEAK	37. CUSHION/COVER, SEAT BACK
19. SCREW	



# REMOVAL

**NOTE:** [\(Refer to 23 - Body/Seats/SEAT - Description\)](#) for a detailed exploded view of the seats.

1. Remove the headrest.
2. Slide seat forward.
3. Using a trim stick C-4755 or equivalent, remove the seat belt anchor trim.
4. Remove both rear seat adjuster bolts.
5. Remove seat belt anchor bolt attaching seat belt to seat.
6. Slide seat rearward.
7. Disconnect and isolate the negative battery cable.
8. Remove both front seat adjuster bolts.
9. Disconnect all electrical connectors.

**CAUTION:** Caution should be taken not to handle seat by adjuster release bar when removing spring loaded seat from vehicle.

10. Remove front seat from vehicle.

# INSTALLATION

**CAUTION:** Do not handle by seat adjuster release bar.

**NOTE:** Ensure that the seat tracks are rearward. Ensure the seat tracks on the right and left are in equal latch positions.

**NOTE:** ([Refer to 23 - Body/Seats/SEAT - Description](#)) for a detailed exploded view of the seats.

1. Place front seat in position in vehicle.
2. Connect front seat wire harness connector to body harness connector.
3. Install bolts to attach front of seat adjuster to the floor. Tighten bolts to 65 N·m (48 ft. lbs.).
4. Slide seat forward and install bolts attaching rear of seat track to the floor. Tighten bolts to 65 N·m (48 ft. lbs.).
5. Install seat belt anchor bolt through seat belt and snap seat belt anchor cover to seat cover side shield.
6. Connect the battery negative cable.
7. Verify front seat operation.

# REMOVAL

**NOTE:** [\(Refer to 23 - Body/Seats/SEAT - Description\)](#) for detailed exploded views.

**NOTE:** All call outs are in reference to the Driver Power exploded view unless otherwise noted.

1. Remove the seat from the vehicle. [\(Refer to 23 - Body/Seats/SEAT - Removal\)](#).
2. Remove the lift handle cover (24 – Driver Manual) and mounting fasteners (26 – Driver Manual), if equipped.
3. Remove the lift handle (23 – Driver Manual), if equipped.
4. Carefully pry the side shield away from the recliner handle (26) and remove the retaining clip.
5. Remove the recliner handle.
6. Remove the rear fastener (31) from the outboard shield (25).
7. Starting at the rear of the outboard shield, carefully pry the side shield until the retainers disengage and slide the shield forward to remove.
8. Remove the seat buckle bolt and buckle (40).
9. Remove the rear fastener (31) from the inboard shield (42).
10. Starting at the rear of the inboard shield, carefully pry the side shield until the retainers disengage and slide the shield forward to remove.
11. Remove the airbag wiring harness (24) from the seat bottom, ensure the harness is completely removed from the bracket (26) and through recliner mechanism.
12. Remove the outboard and inboard seat back bolts (30).
13. Remove the seat back from the seat cushion assembly.

# INSTALLATION

**NOTE:** [\(Refer to 23 - Body/Seats/SEAT - Description\)](#) for detailed exploded views.

**NOTE:** All call outs are in reference to the Driver Power exploded view unless otherwise noted.

1. Install the seat back to the seat cushion assembly.
2. Install the outboard and inboard seat back bolts (30) and torque to 40 N-m (29 ft. lbs.).
3. Install the airbag wiring harness (24) to the seat bottom.
4. Install the inboard shield.
5. Install the rear fastener (31) to the inboard shield (42).
6. Install the seat buckle bolt and buckle (40). Tighten to 45 N-m (33 ft. lbs.).
7. Install the outboard shield.
8. Install the rear fastener (31) to the outboard shield (25).
9. Install the recliner handle (26) retaining clip.
10. Install the recliner handle.
11. Install the lift handle (23 – Driver Manual), if equipped.
12. Install the mounting fasteners (26 – Driver Manual) and lift handle cover (24 – Driver Manual), if equipped.
13. Install the seat to the vehicle. [\(Refer to 23 - Body/Seats/SEAT - Removal\)](#).

# REMOVAL

**NOTE:** [\(Refer to 23 - Body/Seats/SEAT - Description\)](#) for detailed exploded views.

**NOTE:** All call outs are in reference to the Driver Power exploded view unless otherwise noted.

1. Remove the seat from the vehicle. [\(Refer to 23 - Body/Seats/SEAT - Removal\)](#).
2. Remove the lift handle cover (24 – Driver Manual) and mounting fasteners (26 – Driver Manual), if equipped.
3. Remove the lift handle (23 – Driver Manual), if equipped.
4. Remove the recliner handle retainer and handle (26).
5. Remove the seat belt buckle bolt and buckle (40).
6. Remove the rear fastener on the outboard shield (25).
7. Remove the rear fastener on the inboard shield (42).
8. Remove the appropriate side shield.

# INSTALLATION

**NOTE:** [\(Refer to 23 - Body/Seats/SEAT - Description\)](#) for detailed exploded views.

**NOTE:** All call outs are in reference to the Driver Power exploded view unless otherwise noted.

1. Install the side shield.
2. Install the rear fastener on the inboard shield (42).
3. Install the rear fastener on the outboard shield (25).
4. Install the seat belt buckle bolt and buckle (40).
5. Install the recliner handle retainer and handle (26).
6. Install the lift handle (23 – Driver Manual), if equipped.
7. Install the lift handle cover (24 – Driver Manual) and mounting fasteners (26 – Driver Manual), if equipped.
8. Install the seat to the vehicle. [\(Refer to 23 - Body/Seats/SEAT - Removal\)](#).

# REMOVAL

**NOTE:** [\(Refer to 23 - Body/Seats/SEAT - Description\)](#) for a detailed exploded view of the seats.

1. Remove the headrest.
2. If equipped, remove the back panel (14) or unzip the seat back cover.
3. Remove the J-clip from the bottom rear of the seat back.
4. Squeeze the detents at the bottom of the headrest guides then lightly tap the headrest guides (12) until the retaining clips disengage from the seat frame.
5. Remove the headrest guides from the seat back.

# INSTALLATION

**NOTE:** [\(Refer to 23 - Body/Seats/SEAT - Description\)](#) for a detailed exploded view of the seats.

1. Install the headrest guides to the seat back.
2. Lightly tap the headrest guides (12) until the retaining clips engage the seat frame.
3. Zip the seat back cover.
4. Install the J-clip to the bottom rear of the seat back.
5. Install the back panel (14), if equipped.
6. Install the headrest.